



PanBlast™ AER85 Closed Circuit Blaster

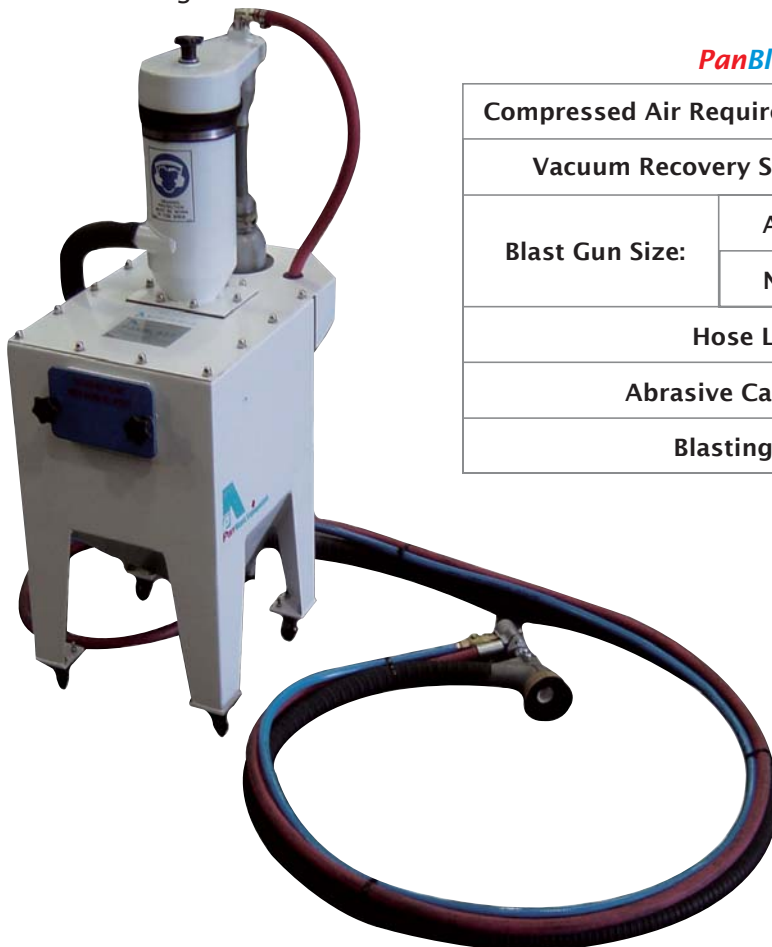
PanBlast™ AER85 Closed Circuit Blaster

The PanBlast™ AER85 Closed Circuit Blaster is the smallest of the closed circuit blast machines and is a completely air operated system; no electrical power is required. The blasting and recovery operation are confined to the blast head assembly, so that dust free blasting may be carried out within proximity to other workshop operations.

A suction feed type blasting system is used on the PanBlast™ AER85 unit. This system uses an air ejector in the blast gun to create a vacuum, which draws the abrasive from the storage hopper via the blast hose to the blast gun where it enters the air blast stream.

A second air ejector is used to create the vacuum required to recover the spent abrasive and dust from the blasting process, which is drawn back to the unit via the recovery hose from the blast head assembly.

Good, re-usable abrasive is dropped back into the abrasive hopper, while the dust is filtered from the air stream by a replaceable filter cartridge. Only clean, filtered air is discharged from the unit.



PanBlast™ AER85 Technical Data:

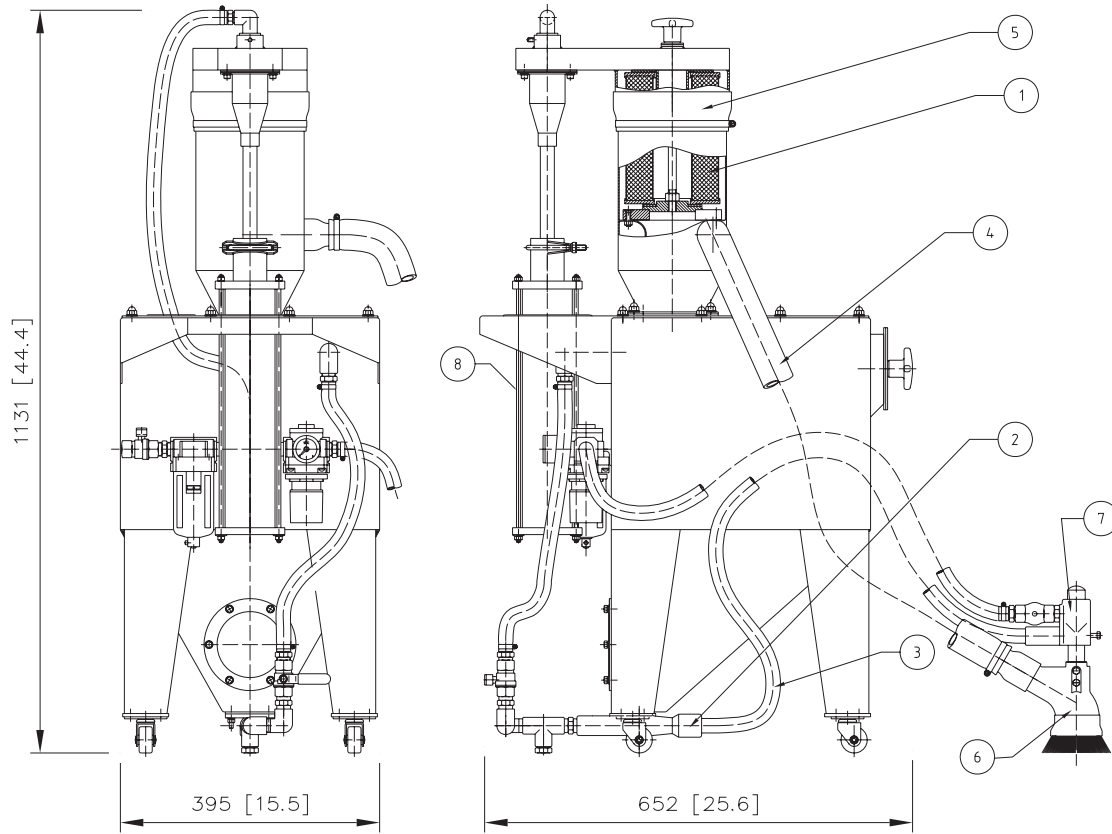
Compressed Air Requirement:		85m ³ /hr (50cfm)
Vacuum Recovery System:		Air Ejector Type
Blast Gun Size:	Air Tip:	3mm (1/8")
	Nozzle:	6mm (1/4")
Hose Length:		4m (13ft)
Abrasive Capacity:		28 Litres (1ft ³)
Blasting Cycle:		Continuous



Email: inquiries@panblast.com - Email: inquiries@panblast.com - Email: inquiries@panblast.com - Email: inquiries@panblast.com - Email: inquiries@panblast.com

PanBlast™ AER85 Closed Circuit Blaster Assembly -

Stock Code	Description
BEC-RV-PB-0016	AER85 Closed Circuit Blaster



PanBlast™ AER85 Closed Circuit Blaster Parts List -

Item	Stock Code	Description	Qty
1	BAC-DF-PB-0008	Filter Cartridge Size 5	1
2	BAC-CA-PB-0220	Feed Tee Assembly	1
3	BAC-HB-PB-0021	Abrasive Hose	4m
4	BAC-HR-PB-0009	Recovery Hose	4m
5	YAC-RV-PB-0098	Sealing Band	1
6	BAC-RV-PB-0017	Gun Head Assembly	1
7	BAC-BG-PB-0009	Suction Blast Gun Assembly	1
8	BAC-RV-PB-0113	Exhaust Muffler	1

Blast Pots & Cabinets - Remote Control Valves - Abrasive Control Valves - Blast Nozzles - Nozzle Holders & Couplings - Helmets & Breathing Air Filters - Blast Suits

